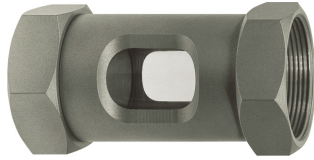


Product Information

OW-008..050GM

**Flow Indicator
OW-...GM**



- No moving parts internally
- Installation location as desired
- For heavily soiled or coloured fluids
- Natural glass, acrylic glass

Characteristics

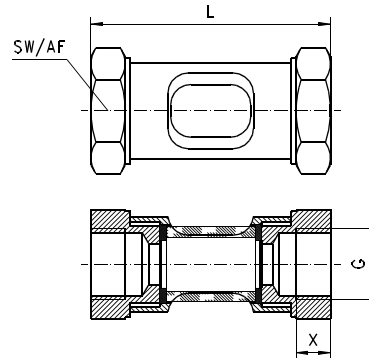
Devices made from solid brass, where the medium can be visually examined through the sight glass (fluid level, colour, bubbles,...).

Technical data

Nominal width	DN 8..50
Process connection	female thread G 1/4..G 2
Q_{max.}	G 1/4 - 15 l/min G 3/8 - 20 l/min G 1/2 - 30 l/min G 1 - 90 l/min G 1 1/2 - 220 l/min G 2 - 250 l/min
Pressure resistance	PN 6 bar
Medium temperature	-20..+70 °C
Ambient temperature	-20..+70 °C
Materials medium-contact	DN 8..15 - CW614N pickled, natural glass DN 25..50 - CW614N nickelled, acrylic glass
Medium	water, oils
Weight	see table "Dimensions and weights"
Installation location	as desired

Dimensions and weights

G	Types	L	SW	X	Weight kg
G 1/4	OW-008GM	70	19	12	0.08
G 3/8	OW-010GM		27	11	0.16
G 1/2	OW-015GM		32	10	0.20
G 1	OW-025GM	90	46	19	0.82
G 1 1/2	OW-040GM	130	60	23	1.40
G 2	OW-050GM	148	65	25	1.50



Ordering code

OW - 1. 2. 3.
 G **M**

1. Nominal width	
008	DN 8 - G 1/4
010	DN 10 - G 3/8
015	DN 15 - G 1/2
025	DN 25 - G 1
040	DN 40 - G 1 1/2
050	DN 50 - G 2
2. Process connection	
G	female thread
3. Connection material	
M	brass